

PRORIL

60 Hz

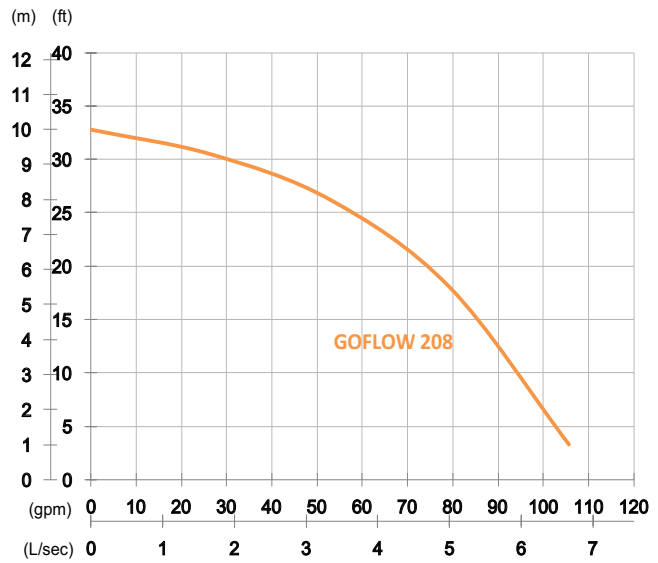
GOFLOW Series, these non-clog pumps can handle solids up to 37 mm in diameter without clogging. These pumps are equipped with a semi-open channel impeller, a wide channel for the pump to pass solids from inflow to discharge with minimal blockage.

Sewage Pump

GOFLOW 208

Non-clog Pump

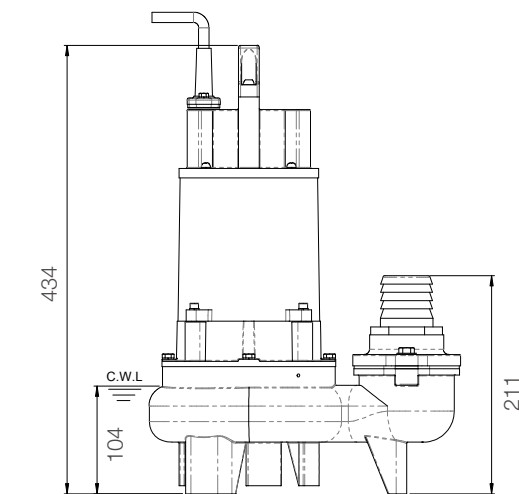
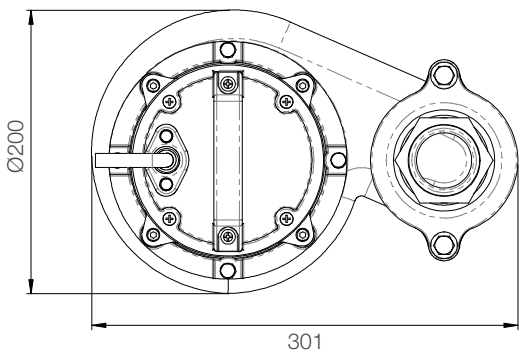




Shaft Speed : 3450

Outlet : 50mm, 2in

| OUTPUT | HEAD | FLOW |
|---------|------------------|-------------------------|
| 0.75 kW | Rated : 8m, 26ft | Rated : 3.3 L/s, 53 gpm |
| 1 HP | Max : 10m, 33ft | Max : 6.7 L/s, 106 gpm |



unit : mm

Weight : 22kg / 49 lbs

| | | |
|-------------------------|-------------------------------------|---|
| Pump Type | Electric Submersible Pumps | |
| | 1-Phase, 3-Phase | |
| Motor | Type | Induction Motor |
| | Poles | 2 Pole |
| | Insulation | Class F |
| | Protector | Circle Thermal Protector |
| | Starter | 1-Phase · Capacitor-Run, 3-Phase · D.O.L. |
| Lubricant | Food Grade (ISO VG32) | |
| Impeller Type | Semi-Open Channel | |
| Shaft Seal | Double Mechanical Seal | |
| | Silicon Carbide VS Ceramic / Carbon | |
| Bearings | C3 Shielded ball bearings | |
| Cable | PVC (CSA Certified) / H07RN-F | |
| | 6m (20ft) or longer upon request. | |
| Materials | Pump Casing | Gray Iron |
| | Impeller | Gray Iron |
| | Motor Frame | Gray Iron |
| | Motor Shaft | Stainless Steel |
| Max. Liquid Temperature | 40°C (104°F) | |
| Max. Submersion Depth | 20m (66ft) | |
| pH Range | pH 5 - pH 8 | |
| Accessories | GRL-02F | |