

PRORIL

60 Hz

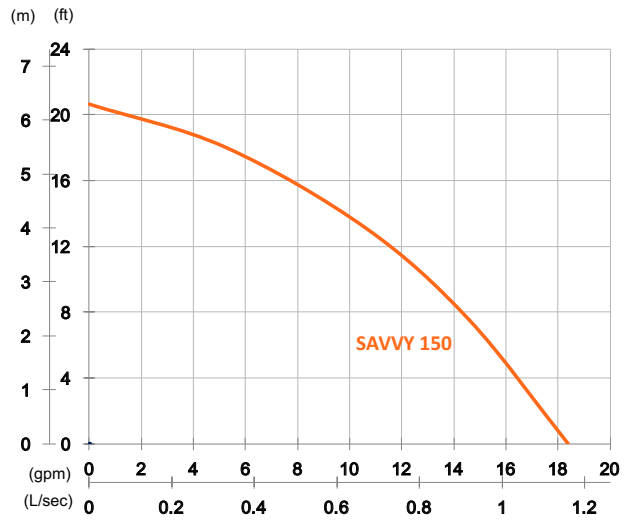
Designed for light weight, excellent performance, low energy consumption, and easy maintenance, PRORIL submersible handy pumps serve a wide range of pumping applications on utility, construction, industrial, and municipal job sites.

Handy and Residue Pump

SAVVY 150

Handy Pump

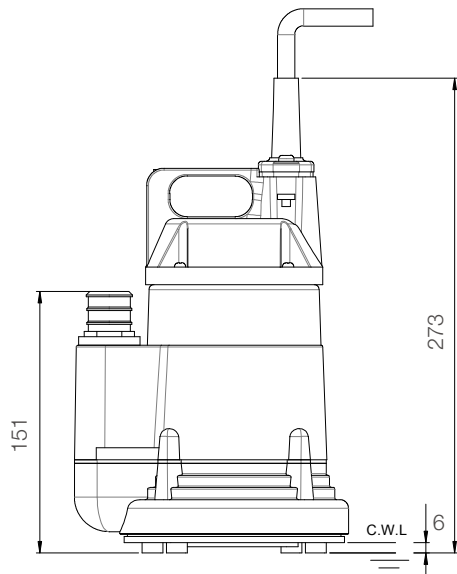
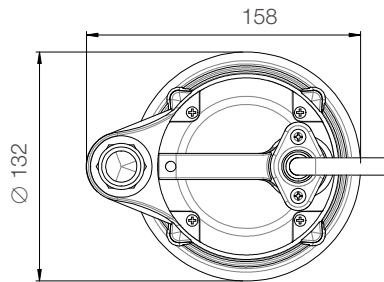




Shaft Speed : 3450 rpm

Outlet : 25mm, 1in

OUTPUT	HEAD	FLOW
0.15 kW	Rated : 4m, 13ft	Rated : 0.7 L/s, 11 gpm
0.2 HP	Max : 6.3m, 21ft	Max : 1.2 L/s, 18 gpm



unit : mm

Weight : 4kg / 9 lbs

Pump Type	Electric Submersible Pumps	
	1-Phase	
Motor	Type	Induction Motor
	Poles	2 Pole
	Insulation	Class F
	Protector	Miniature Thermal Protector
	Starter Method	Capacitor-Run
Lubricant	Food Grade (ISO VG115)	
Impeller Type	Opened	
Shaft Seal	Oil Seal	
Bearings	Shielded ball bearings	
Cable	PVC (CSA Certified) / H05RN-F	
	3m (10ft) or longer upon request.	
Materials	Pump Casing	Aluminum
	Impeller	Synthetic Polymers
	Motor Frame	Aluminum
	Motor Shaft	Carbon Steel
Max. Liquid Temperature	40°C (104°F)	
Max. Submersion Depth	5m (16ft)	
pH Range	pH 5 - pH 8	