

# PRORIL

60 Hz

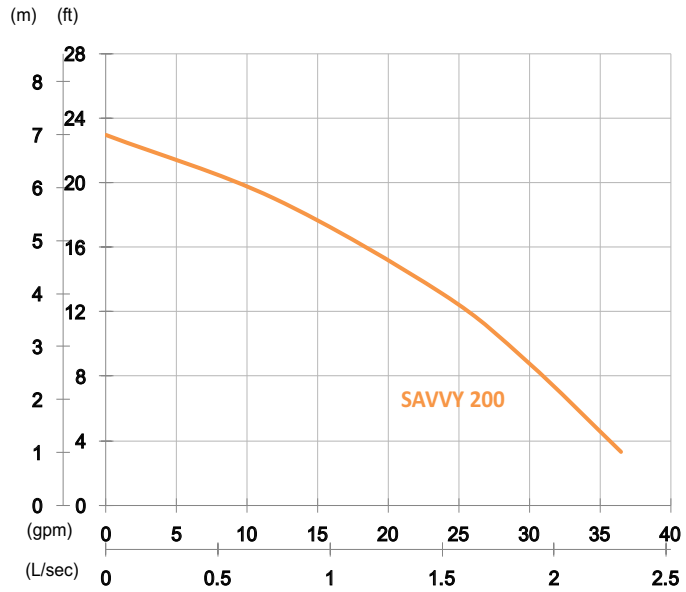
Designed for light weight, excellent performance, low energy consumption, and easy maintenance, PRORIL submersible handy pumps serve a wide range of pumping applications on utility, construction, industrial, and municipal job sites.

**Handy and Residue Pump**

## **SAVVY 200**

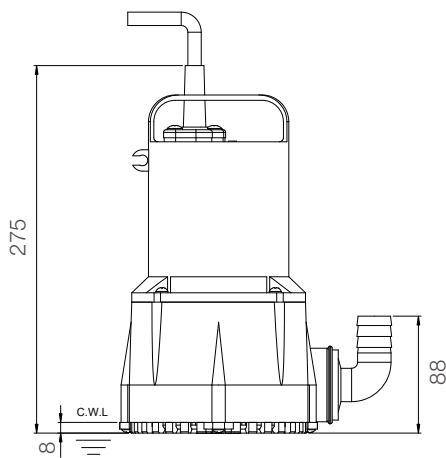
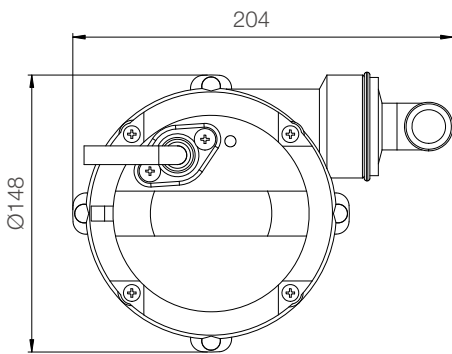
Handy Pump





Shaft Speed : 3450 rpm

Outlet : 30mm, 1.25in



unit : mm

Weight : 4kg / 9 lbs

OUTPUT	HEAD	FLOW
0.25 kW	Rated : 4m, 13ft	Rated : 1.5 L/s, 24 gpm
0.33 HP	Max : 7m, 23ft	Max : 2.3 L/s, 36 gpm

Pump Type		Electric Submersible Pumps
		1-Phase
Motor	Type	Induction Motor
	Poles	2 Pole
	Insulation	Class F
	Protector	Miniature Thermal Protector
	Starter	Capacitor-Run
Lubricant		Food Grade (ISO VG115)
Impeller Type		Opened
Shaft Seal		Oil Seal
Bearings		Shielded ball bearings
Cable		PVC (CSA Certified) / H05RN-F
		3m (10ft) or longer upon request.
Materials	Pump Casing	Synthetic Polymers
	Impeller	Synthetic Polymers
	Motor Frame	Stainless Steel
	Motor Shaft	Stainless Steel
Max. Liquid Temperature		40°C (104°F)
Max. Submersion Depth		5m (16ft)
pH Range		pH 5 - pH 8