

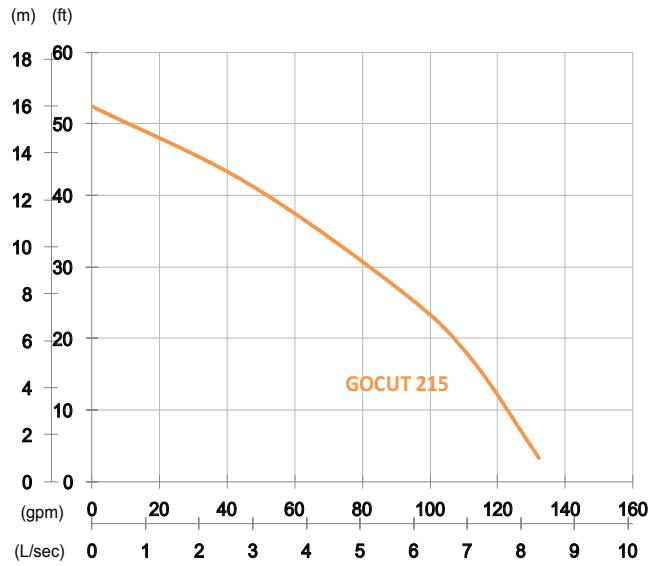
GOCUT Series, these cutter pumps are designed for handling raw sewage and for various wastewater treatments. The cutting mechanism consists of a chopper plate and a tungsten carbide alloy tipped onto each vane of the semi-open channel impeller. The device shreds fibrous materials into small pieces to prevent from clogging.

Sewage Pump

GOCUT 215

Cutter Pump

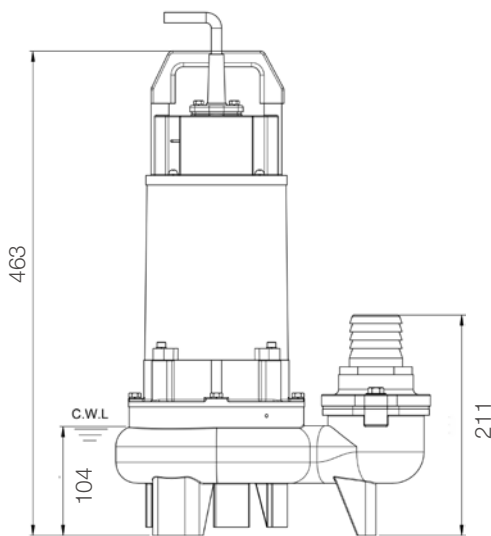
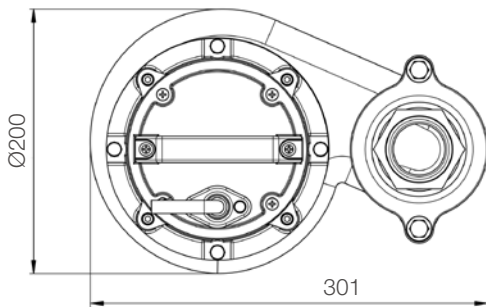




Shaft Speed : 2850 rpm

Outlet : 50mm, 2in

| OUTPUT | HEAD | FLOW |
|--------|------------------|-------------------------|
| 1.5 kW | Rated : 8m, 26ft | Rated : 5.8 L/s, 92 gpm |
| 2 HP | Max : 16m, 52ft | Max : 8.3 L/s, 132 gpm |



unit : mm

Weight : 27kg / 60 lbs

| | | |
|-------------------------|-------------------------------------|---|
| Pump Type | Electric Submersible Pumps | |
| | 1-Phase, 3-Phase | |
| Motor | Type | Induction Motor |
| | Poles | 2 Pole |
| | Insulation | Class F |
| | Protector | Circle Thermal Protector |
| | Starter | 1-Phase · Capacitor-Run, 3-Phase · D.O.L. |
| Lubricant | Food Grade (ISO VG32) | |
| Impeller Type | Semi-Open Channel Cutter | |
| Shaft Seal | Double Mechanical Seal | |
| | Silicon Carbide VS Ceramic / Carbon | |
| Bearings | C3 Shielded ball bearings | |
| Cable | PVC (CSA Certified) / H07RN-F | |
| | 6m (20ft) or longer upon request. | |
| Materials | Pump Casing | Gray Iron |
| | Impeller | Gray Iron |
| | Motor Frame | Gray Iron |
| | Motor Shaft | Stainless Steel |
| Max. Liquid Temperature | 40°C (104°F) | |
| Max. Submersion Depth | 20m (66ft) | |
| pH Range | pH 5 - pH 8 | |
| Accessories | GRL-02F | |