

PRORIL

50 Hz

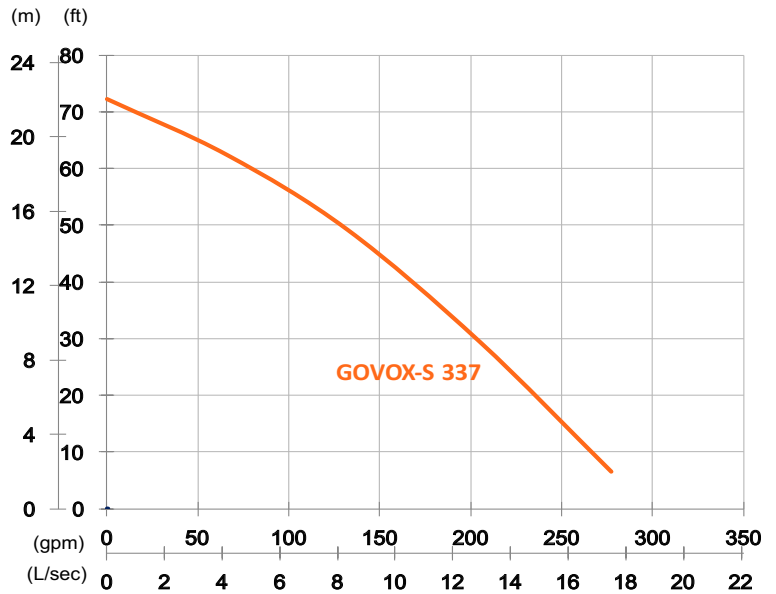
GOVOX-S Series, these vortex pumps are equipped with an agitator, which forcibly agitate the fluid for easy and efficient transmission of sludge, sand, mud, and debris.

Sewage Pump

GOVOX-S 337

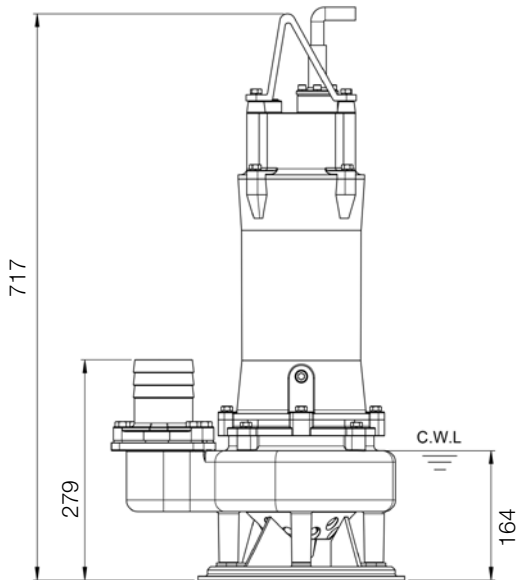
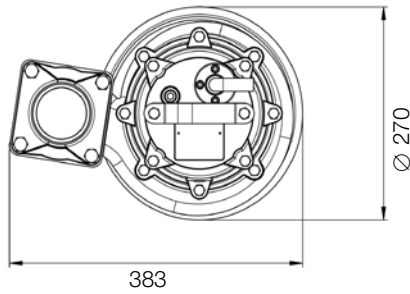
Vortex and Agitator Pump





Shaft Speed : 2850 rpm

Outlet : 80mm, 3in



unit : mm

Weight : 53kg / 117 lbs

OUTPUT	HEAD	FLOW
3.7 kW	Rated : 15m, 49ft	Rated : 8.3 L/s, 132 gpm
5 HP	Max : 22m, 72ft	Max : 17.5 L/s, 277 gpm

Pump Type	Electric Submersible Pumps	
	3-Phase	
Motor	Type	Induction Motor
	Poles	2 Pole
	Insulation	Class F
	Protector	Circle Thermal Protector
	Starter	D.O.L.
Lubricant	Food Grade (ISO VG32)	
Impeller Type	Vortex	
Shaft Seal	Double Mechanical Seal	
	Silicon Carbide VS Ceramic / Carbon	
Bearings	C3 Shielded ball bearings	
Cable	PVC (CSA Certified) / H07RN-F	
	10m (33ft) or longer upon request.	
Materials	Pump Casing	Ductile Iron
	Impeller	Gray Iron
	Motor Frame	Gray Iron
	Motor Shaft	Stainless Steel
	Agitator	Ductile Iron
Max. Liquid Temperature	40°C (104°F)	
Max. Submersion Depth	20m (66ft)	
pH Range	pH 5 - pH 8	