

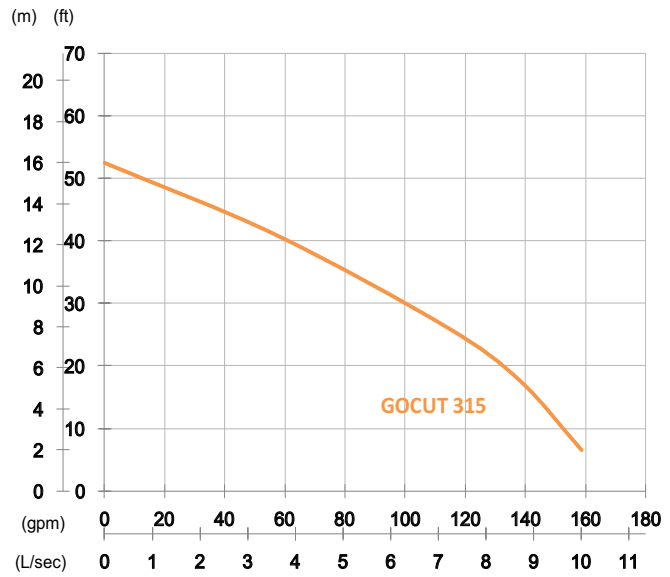
GOCUT Series, these cutter pumps are designed for handling raw sewage and for various wastewater treatments. The cutting mechanism consists of a chopper plate and a tungsten carbide alloy tipped onto each vane of the semi-open channel impeller. The device shreds fibrous materials into small pieces to prevent from clogging.

Sewage Pump

## GOCUT 315

Cutter Pump



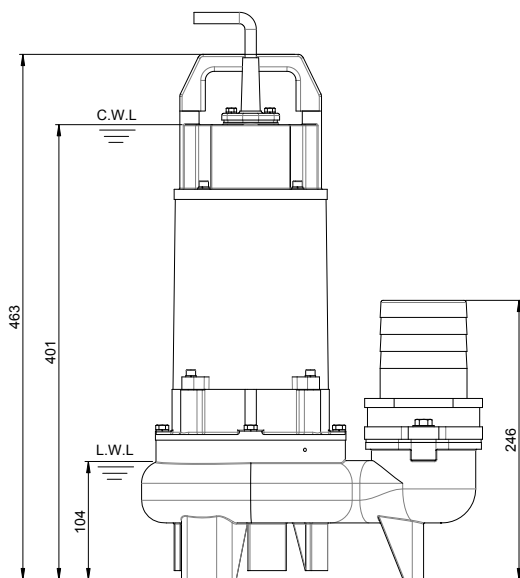
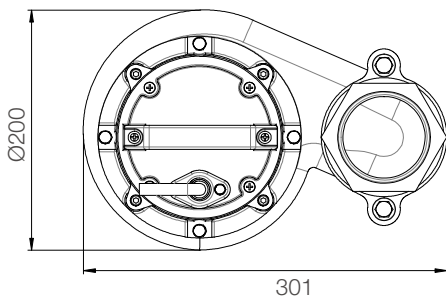


Shaft Speed :3450 rpm

Outlet : 80mm, 3in

| OUTPUT | HEAD             | FLOW                     |
|--------|------------------|--------------------------|
| 1.5 kW | Rated : 8m, 26ft | Rated : 7.2 L/s, 114 gpm |
| 2 HP   | Max : 16m, 52ft  | Max : 10 L/s, 159 gpm    |

Solid Passage : 27mm, 1.1in



unit : mm

Weight : 27kg / 60 lbs

|                         |             |                                           |
|-------------------------|-------------|-------------------------------------------|
| Pump Type               |             | Electric Submersible Pumps                |
|                         |             | 1-Phase, 3-Phase                          |
| Motor                   | Type        | Induction Motor                           |
|                         | Poles       | 2 Pole                                    |
|                         | Insulation  | Class F                                   |
|                         | Protector   | Circle Thermal Protector                  |
|                         | Starter     | 1-Phase · Capacitor-Run, 3-Phase · D.O.L. |
| Lubricant               |             | Food Grade (ISO VG32)                     |
| Impeller Type           |             | Semi-Open Channel Cutter                  |
| Shaft Seal              |             | Double Mechanical Seal                    |
|                         |             | Silicon Carbide VS Ceramic / Carbon       |
| Bearings                |             | C3 Shielded ball bearings                 |
| Cable                   |             | PVC (CSA Certified) / H07RN-F             |
|                         |             | 6m (20ft) or longer upon request.         |
| Materials               | Pump Casing | Gray Iron                                 |
|                         | Impeller    | Gray Iron                                 |
|                         | Motor Frame | Gray Iron                                 |
|                         | Motor Shaft | Stainless Steel                           |
| Max. Liquid Temperature |             | 40°C (104°F)                              |
| Max. Submersion Depth   |             | 20m (66ft)                                |
| pH Range                |             | pH 5 - pH 8                               |
| Guide Rail              |             | GRL-03F                                   |